

FAN OUTLET AND DUCTING THIS DIRECTION

CEILING EXHAUST FAN DUCTED

R621D1

R621D1
Ceiling Exhaust Fan Ducted

Specification

Cat. No: R621D1
230-240 a.c. 50Hz
T40 Class 1
(May be connected to a lighting circuit if loading permits.)

Read through these instructions completely before commencing installation.

Note: Steam and air will only be exhausted through the fan if there is sufficient flow of air through the room. Ensure adequate inlets exist through windows, vents or under the door. Airflow path from the inlet to the fan should ideally pass over the source of steam or air to be removed from the room.

Note: This ducted exhaust fan must only be installed horizontally in a ceiling. It is not suitable as a wall or window exhaust fan.

Local building codes may require venting to the outside. HPM recommends this practice using the ducting and exterior grille provided. Refer to figure 1 and figure 2.

Ceiling preparation:

Determine a position in the ceiling to install the Ceiling Exhaust Fan Ducted. Do not install within 120cm of stove or inside a shower recess. Be certain that roof beams above the ceiling do not restrict the installation area. Thermal insulation in the ceiling space may abut but must not cover the exhaust fan.

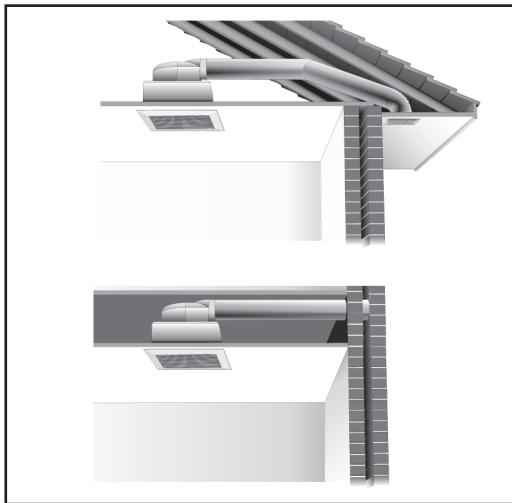


fig.1 & 2

Use this sheet as a template to draw the cut-out section (230 mm x 252 mm). Be sure the cut out is aligned so the ducted exhaust is facing the desired direction (see marking on edge of sheet).

Use an electric jig saw or small hand saw to cut out around the line. Several holes drilled at a point inside the corners provide a convenient starting point for the cut-out panel.

The exhaust fan is supplied with a lead and 3-pin plug. Ensure a power outlet is installed in the ceiling near the fan. The outlet must be installed by a licensed electrical contractor or similarly qualified person, and may be controlled by a standard switch or time delay switch.

Fixing to ceiling:

Remove the fan front cover. When you pull the cover away from the fan you will notice two spring clips either side of the fan. Squeeze the spring clips together and pull the cover away, releasing the clips from the retaining slots. Refer to fig.3.

Make sure the gap between the fan flange and the toggle clamp surface is larger than the thickness of the ceiling, and turn all the toggle clamps to be flush against the fan wall – this will allow them to fit through the cut out.

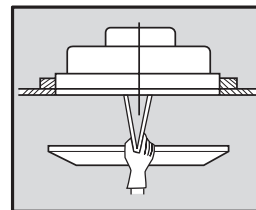


fig.3

Ensure the power to the power outlet in the ceiling has been turned off at the mains and plug the fan power cord into it.

With the fan outlet facing the correct direction push the fan through the cut out. Hold it in place and tighten the 4 toggle clamp screws.

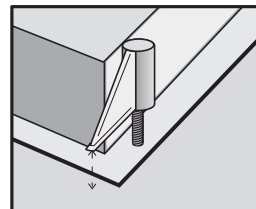


fig.4

Before tightening the screws check the fan is fully supported by all 4 screws. If not, unscrew the toggle screws to open them up, reposition and tighten again. Carefully tighten all 4 screws so the fan is securely installed in the ceiling. It is recommended that the four toggles be checked for correct clamping by inspecting from above. Refer to fig.7.

Final Assembly:

Replace the front cover by squeezing in the spring clips and inserting in the retaining slots.

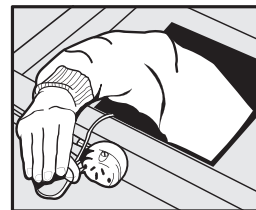


fig.5

Once the fan is in place in the ceiling it is recommended that the 'fixing' of the ducting and exterior grille are carried out at this point.

To duct to the outside, connect the duct onto the duct adaptor provided with duct tape (also provided). Secure the duct adaptor to the outlet with duct tape. Choose a location in the eaves or on an external wall for the outlet grille – the grille location should be in a straight line from the fan outlet (avoid bends in duct). After installing the outlet, connect the flexible duct (max 3m – cut if necessary) and fix with the duct tape provided.

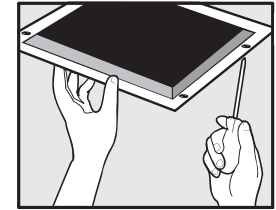


fig.6

Although not recommended it is possible to secure the ducting whilst the fan is being secured into the ceiling.

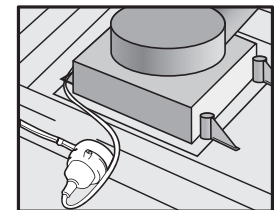


fig.7

Disclaimers:

1. For indoor use only.
2. Exhaust fans may adversely affect the safe operation of appliances burning gas or other fuels (including those in other rooms) due to back flow of combustion gases. These gases can potentially result in carbon monoxide poisoning. After installation of exhaust fans, the operation of flued gas appliances should be tested by a competent person to ensure that back flow of combustion gases does not occur.
3. This appliance is not intended for use by persons (including children) with reduced physical, sensory or mental capabilities, or lack of experience and knowledge, unless they have been given supervision or instruction concerning use of the appliance by a person responsible for their safety.
4. Children should be supervised to ensure they do not play with appliance.
5. If the supply cord is damaged it must be replaced by a special cord or assembly from the manufacturer or its service agent.
6. Plug shall be accessible after installation to permit disconnection from 240V mains supply.
7. Exhaust fan is to be installed so that fan blades are more than 2.1m above floor level.

WARRANTY

Legrand warrants this product for a period of 12 months from the date of purchase. These goods come with guarantees that cannot be excluded under the Australian and New Zealand Consumer Laws. You are entitled to a replacement or a refund for a major failure and for compensation for any other reasonably foreseeable loss or damage. You are also entitled to have the goods repaired if the goods fail to be acceptable quality and the failure does not amount to a major failure. See the Warranty card enclosed with this product for further details.



A brand of **legrand**

Legrand Australia
1300 369 777
www.hpm.com.au

Legrand New Zealand
0800 476 009
www.hpm.co.nz

ABN: 31 000 102 661